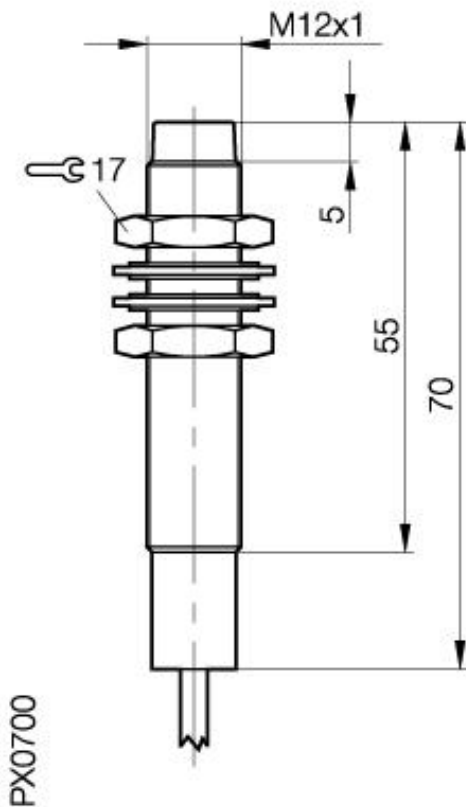


Inductive Sensors
BES 113-356-SA 6-PU-03
M12x1 x 70
normally-open
Sn=3,7mm
unshielded
function monitoring



Common Data

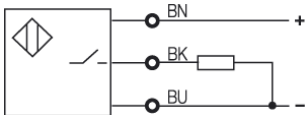
Product name	Safety Switches
Mounting in steel	unshielded
Rated operating distance Sn	3,7mm
Assured operating distance Sa	0...2.9mm
Repeatability R	≤ 5%
Hysteresis	≤ 15%
Ambient temperature range	-25...+70°C
Polution Degree	3
Time delay before availability	≤ 50ms
Particular characteristics	function monitoring

Mechanical Data

Measurements BxHxT or DxT	M12x1 x 70mm
Housing material	Nickel plated brass
Material of sensing face	PA 12
Degree of protection	IP65IP
Connection	Cable
Cable type	LifY-11Y-Y-O
Schock: Halbsinus, 30 gn, 11ms	
Vibration: 55 Hz, 1mm Amplitude, 3 x 30 Minutes	

Electrical Data

Current type	DC
Wiring	3-Wire
switching function	normally-open
Output signal	PNP
Rated operational voltage	24 DCV
Rated operational current	130mA
Supply voltage	20...30 DCV
Ripple	≤ 15%
max. switching frequency	300Hz
Minimum operational current	1mA
No-load supply current	≤ 25/≤ 25mA
Off-state current	≤ 80µA
Voltage drop	typ. 2.5V
Short circuit protection	yes
Protected against polarity reversal	yes



Utilization categories
 Insulation class

DC 12

Datasheet number:

Definitions see general catalog.
 If not otherwise noted, ratings according to
 IEC 60947-5-2 (DIN EN60947-5-2)

Balluff GmbH
 Schurwaldstrasse 9
 73765 Neuhausen a.d.F.
 Phone (07158) 173-0 Fax (07158) 5010

Datenblatt by CD-ROM - 04/2007

BALLUFF
 sensors worldwide